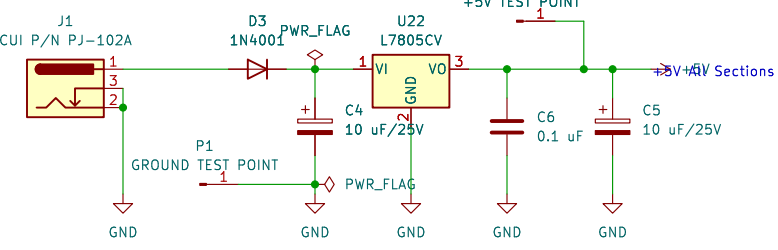
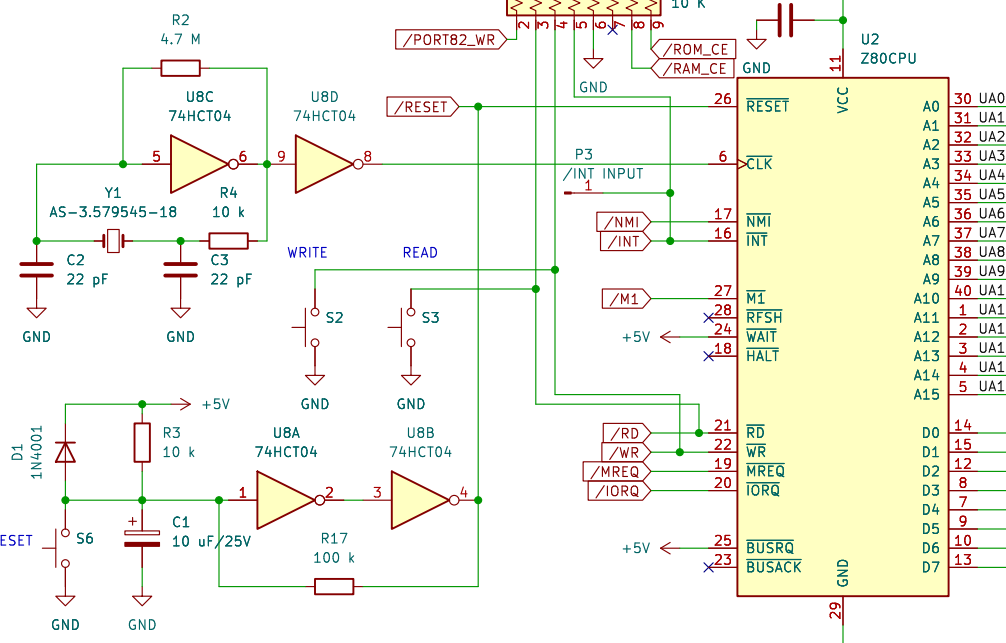


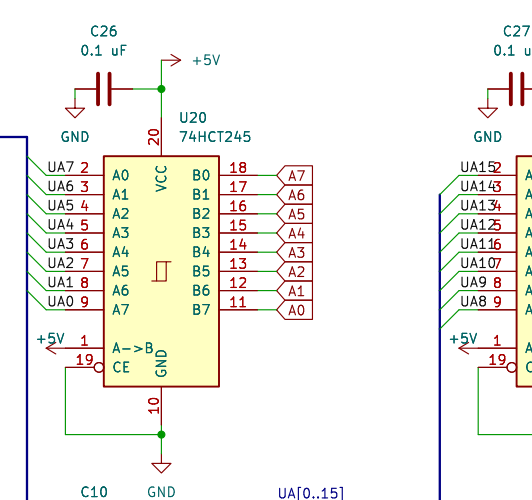
VOLTAGE REGULATOR
REVERSE VOLTAGE PROTECTION



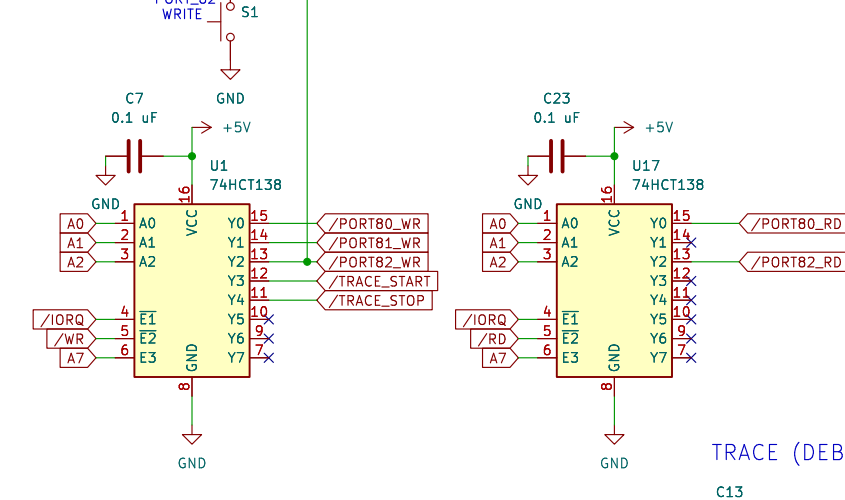
SYSTEM CLOCK & RESET



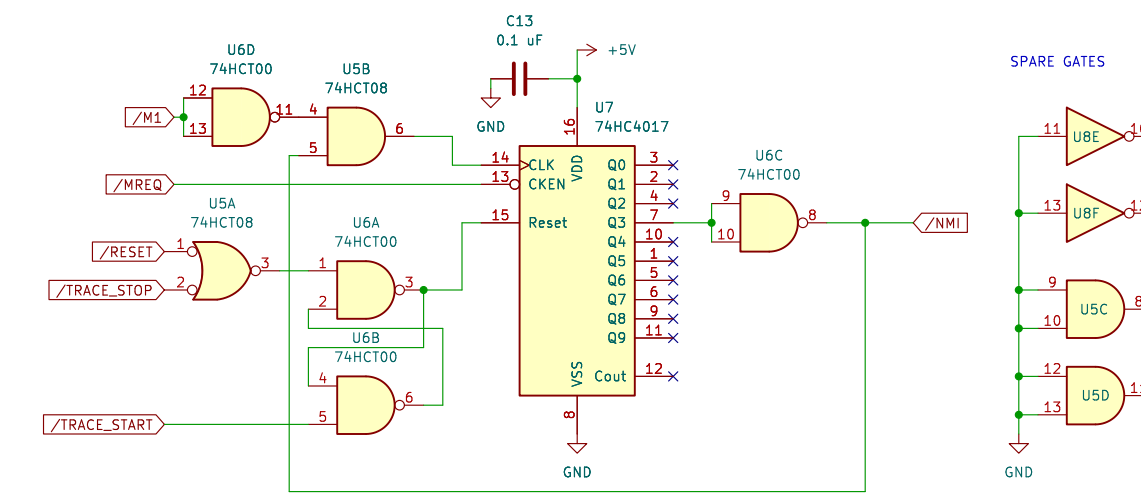
ADDRESS BUS BUFFERS



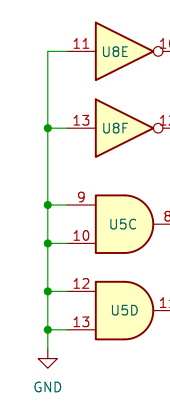
I/O PORT ADDRESS DECODER



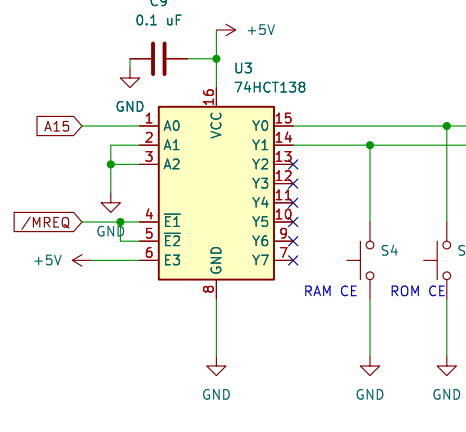
TRACE (DEBUGGER)



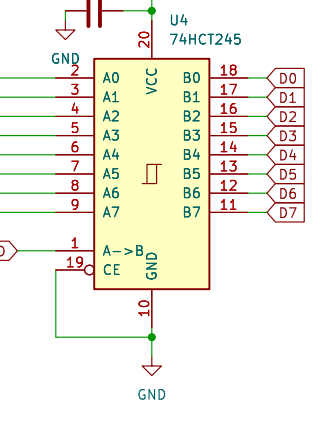
SPARE GATES



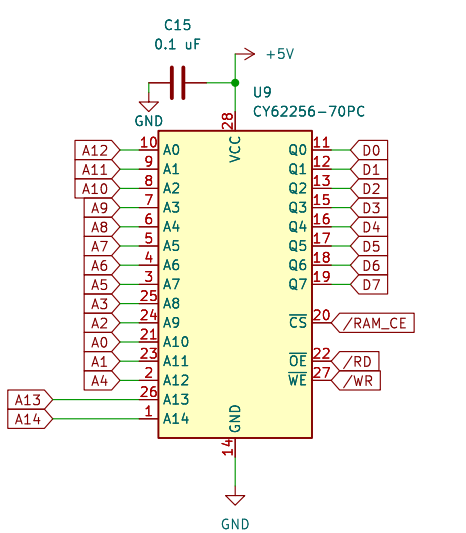
MEMORY ADDRESS DECODER



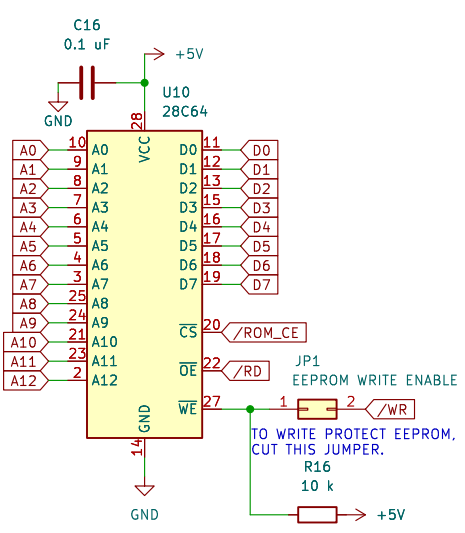
DATA BUS BUFFER



SYSTEM RAM

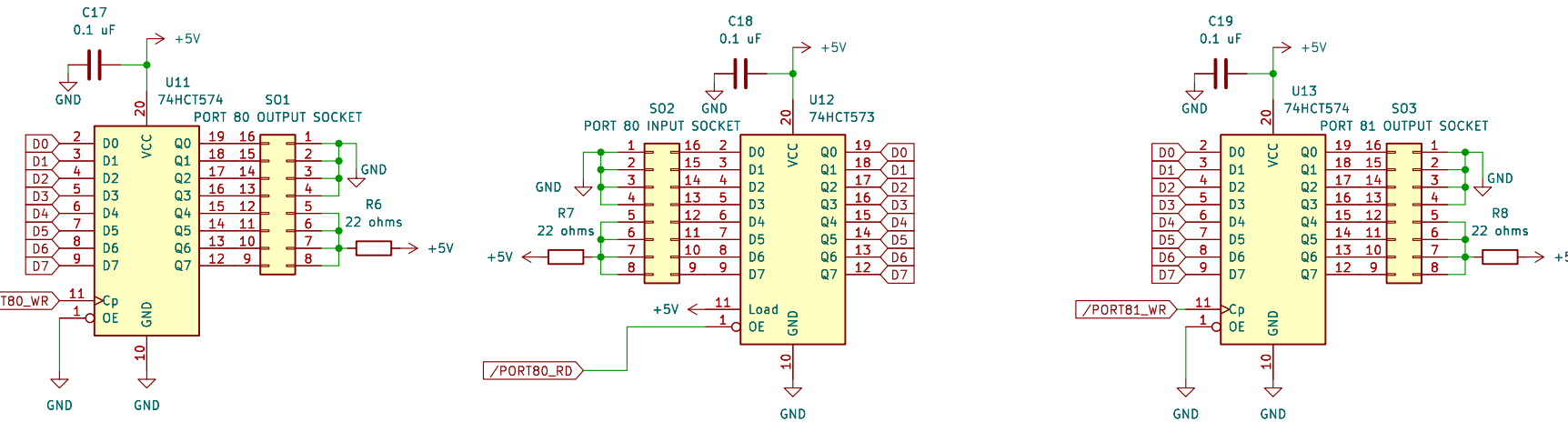


ROM (EEPROM)

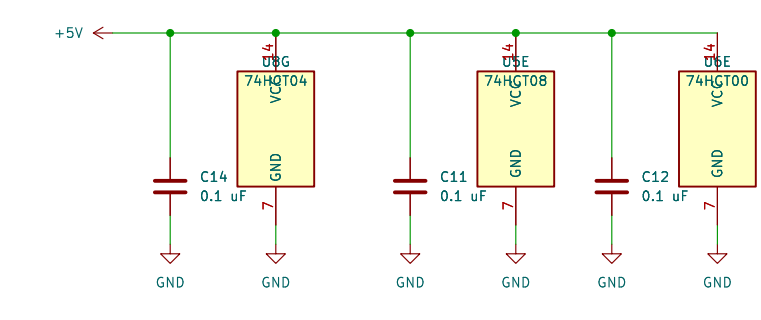


NOTE 1: MAY USE HM6264 (8K x 8) OR CY62256 (32K x 8) SRAM CHIPS.
NOTE 2: 32K RAM MAPPED FROM 0x8000-0xFFFF; 8K RAM MAPS FROM 0xA000-0xBFFF

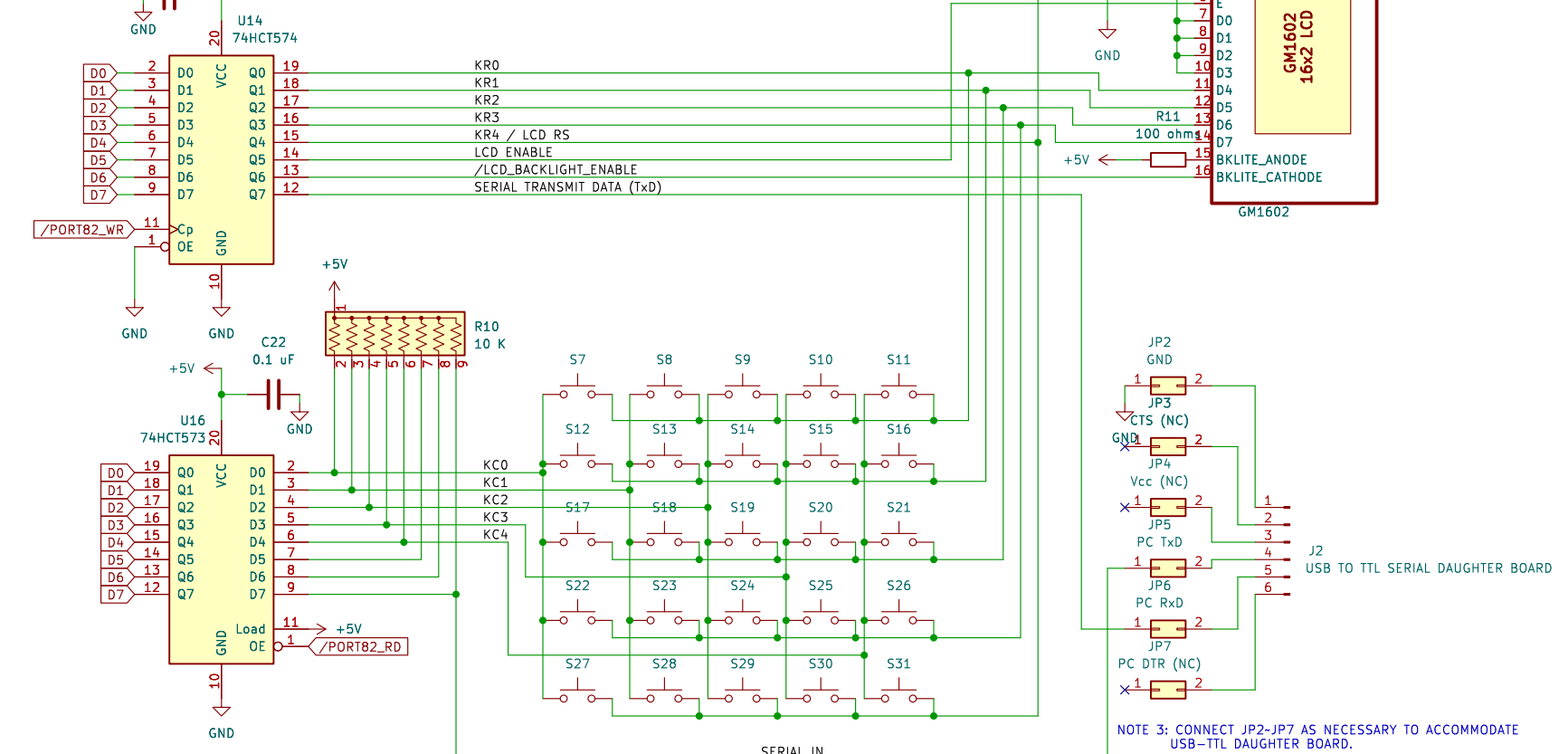
GENERAL PURPOSE INPUT / OUTPUT PORTS



Discrete Gate Power



KEYBOARD / LCD / SERIAL PORT



NOTE 3: CONNECT JP2-JP7 AS NECESSARY TO ACCOMMODATE USB-TTL DAUGHTER BOARD.

DATA / ADDRESS INPUTS AND DISPLAYS

